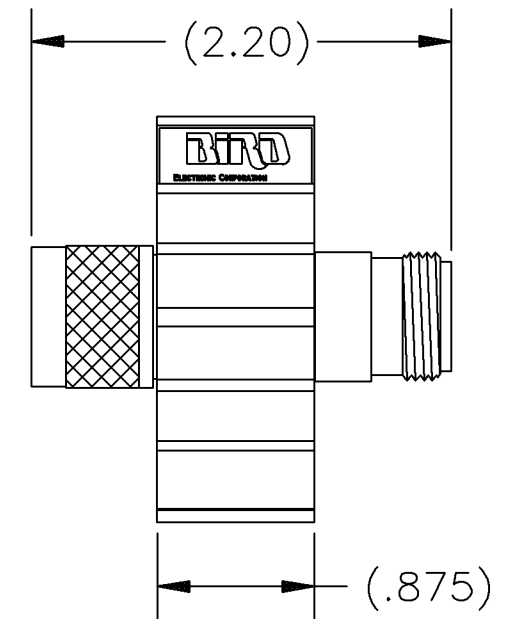
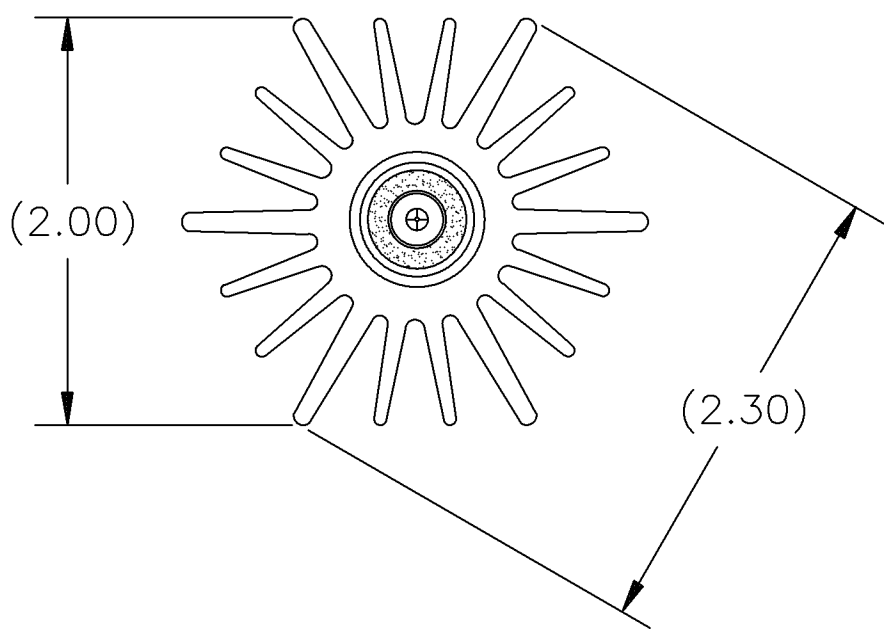


REVISIONS			
REV	DESCRIPTION	DATE	APPROVED
A	ECN #0185	2-22-97	MRV
B	ECN #0246	2-3-00	MRV
C	ECN #0248	3-1-00	MRV
D	ADD VALUES NOTE/ECO 12821	7-13-06	<i>[Signature]</i> DMD

SPECIFICATIONS:  
 10 WATT BI-DIRECTIONAL COAXIAL ATTENUATOR  
 POWER RATING: 10 WATTS MAXIMUM @ 40°C.  
 12 WATTS MAXIMUM @ 25°C.  
 CONNECTORS: N-TYPE, MALE-FEMALE  
 FREQUENCY RANGE & VSWR: DC TO 1GHz AT 1.10:1 MAX.  
 1GHz TO 4GHz AT 1.25:1 MAX.  
 IMPEDANCE: 50 OHMS, NOMINAL  
 AMBIENT TEMPERATURE RANGE: -40°C TO +40°C  
 OPERATING POSITION: ANY  
 COOLANT: DRY (CONVECTION COOLED)  
 FINISH: BLACK ANODIZED COOLING FINS, SILVER OR TRI-ALLOY PLATED CONNECTORS  
 NOMINAL SIZE: 2.2"L X 2.3" DIA.  
 WEIGHT: APPROX. 4 OZ.



NOTE:  
 FOR VALUES NOT LISTED, REFER TO THE NEXT HIGHER ATTENUATION LEVEL FOR SPECIFICATIONS. FOR ATTENUATION VALUES GREATER THAN THE HIGHEST LISTED ATTENUATION VALUE, REFER TO THE VALUE 1/2 THE DESIRED ATTENUATION LEVEL, THEN DOUBLE THE LISTED SPECIFICATION VALUES, UNLESS OTHERWISE SPECIFIED.

XX = DASH NUMBER (dB VALUE)

-30	30	±0.8 dB	±1.3 dB
-20	20	±0.5 dB	±1.0 dB
-10	10	±0.4 dB	±0.8 dB
-06	6	±0.4 dB	±0.6 dB
-03	3	±0.3 dB	±0.5 dB
-02	2	±0.3 dB	±0.5 dB
-01	1	±0.3 dB	±0.5 dB
DASH NO.	dB ATTEN.	DC - 1GHz ATTENUATOR	1 - 4GHz ACCURACY ±dB

DIMENSIONS HEREON ARE FOR CUSTOMER CONVENIENCE AND REFERENCE ONLY. TOLERANCE TO BE APPLIED ONLY WHERE INDIVIDUALLY STATED ON THE RESPECTIVE DIMENSION. -DO NOT SCALE DRAWING-

UNLESS OTHERWISE SPECIFIED DIMENSIONS ARE IN INCHES TOLERANCES ARE: FRACTIONS ±1/64 DECIMALS .XX= ±.010 .XXX= ±.005 ANGLES ±30' MILLIMETERS .X= ±.4 .XX= ±.12 DO NOT SCALE DRAWING	APPROVALS		DATE		
	DRN	D.M.RINK	10-15-02		
THIS DRAWING IS THE PROPERTY OF THE BIRD TECHNOLOGIES GROUP OR BIRD ELECTRONIC CORPORATION. THE DESIGNS AND SPECIFICATIONS DISCLOSED HEREON ARE PROPRIETARY AND SHALL NOT BE REPRODUCED, NOR COPIED, NOR USED AS THE BASIS FOR THE MANUFACTURE OR SALE OF APPARATUS OR DEVICES WITHOUT THEIR EXPRESS WRITTEN CONSENT.	CHK	MRV	10-15-02		TITLE ATTENUATOR, N-TYPE MALE/FEMALE, 10W
	APP	MRV	10-15-02		
MATERIAL	CODE	FINISH		CODE	FSCM NO. 70998 SCALE 1:1 DWG. NO. 10-A-MFN-XX REV D PROJ./LIB AUTOCAD SHEET 1 OF 1