

SPECIFICATION

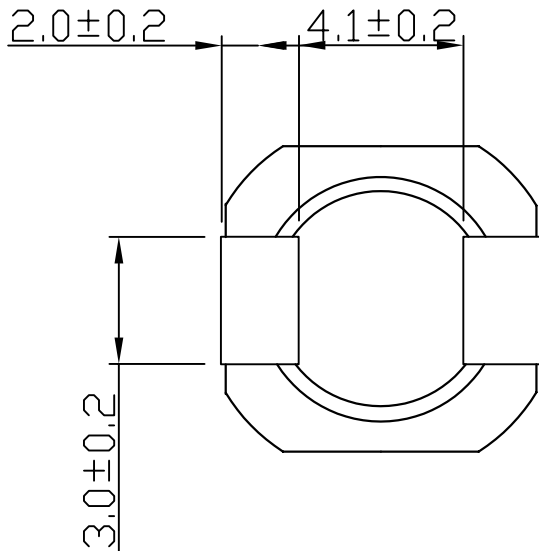
Inductance: $15 \pm 20\% \mu\text{H} @ 100\text{KHz} / 0.1\text{V}$
 DCR(Max.): 0.077Ω
 IDC(Max.): 2.10A

MATERIAL

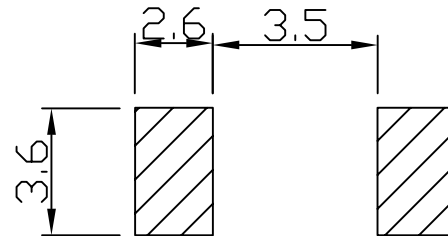
Core: N5D DR 6x4.5M C:3.4
 N5D RI 8x4.4x6.4
 Wire: $0.32 \phi 2\text{UEW} \times 16.5\text{T}_s(\text{Ref.})$
 Terminal: C-TSB104R-3 P1


NOTE:

This Part Is RoHS Compliant



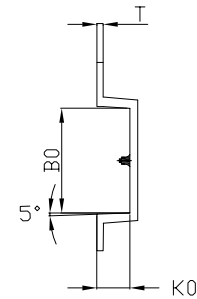
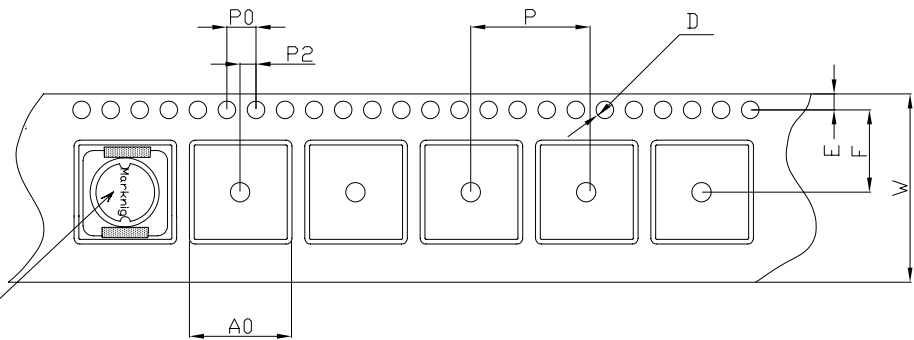
Land Pattern



				TITLE: SMT SHIELDED POWER INDUCTOR			PART NO.: IRDS85LC150M				
					APPROVED BY	CHECKED BY	DRAWN BY				
					YKC	GFS	ES	UNIT	MM	SCALE	NONE
TOL UNLESS NOTED	A1	02-22-2007	ES				SHEET	1	OF	2	
LINE: ±0.25mm	A	01-22-2005									
ANGLE: ±0.1°	REV	DATE	SIGN	TRIGON COMPONENTS, INC. 939 MARINER STREET, BREA, CA 92821, TEL: (714)-990-1367							

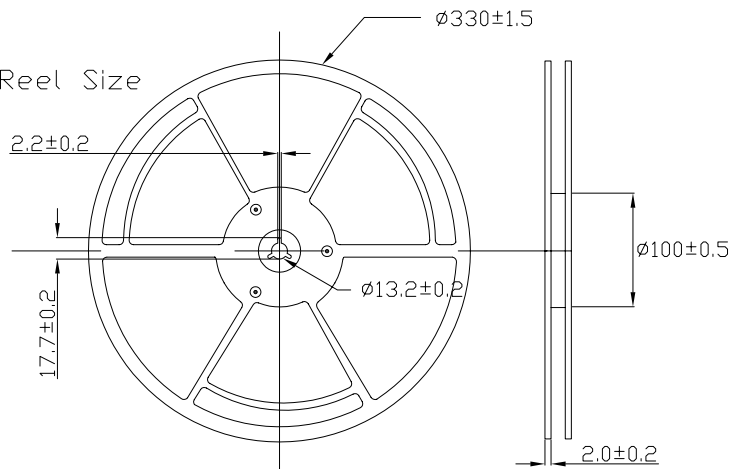
PACKAGE SPECIFICATION.

1. Encapsulation Mode



Marking Direction


2. Reel Size



2. Dimension

P	P0	P2	D	W
14.4±0.1	4.0±0.1	2.0±0.1	1.5±0.1	24.0±0.3

E	F	B0	K0	A0	T
1.75±0.1	10.25±0.1	9.0±0.1	7.0±0.1	9.6±0.1	0.40±0.05

TITLE: SMT Power Inductor		PART NO: IRDS85LC150M			
	TOL UNLESS NOTED	UNIT	MM	SCALE	NONE
	LINE: ±0.25mm	SHEET 2 OF 2			
ANGLE: ±0.1° TRIGON COMPONENTS, INC. 939 MARINER ST. BREA, CA 92821 USA TEL: (714)990-1367 www.trigoncomponents.com					